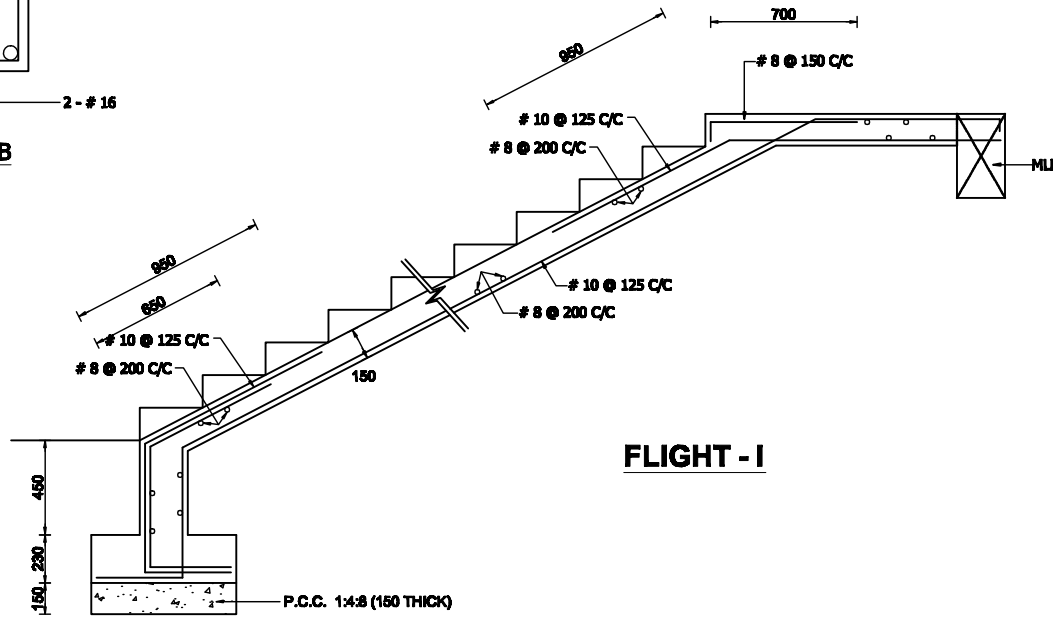
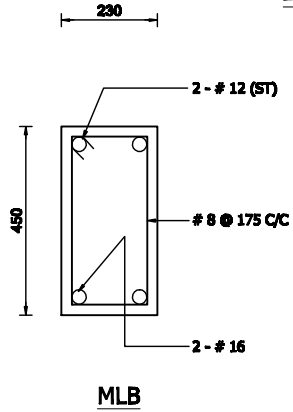
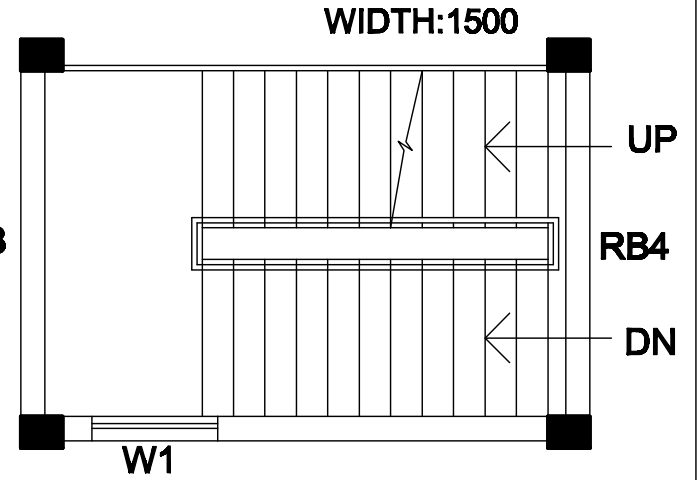


FLIGHT - II



FLIGHT - I



SCALE : 1: 25

DWG .NO: 3

**PROPOSED PANCHAYAT UNION
OFFICE FOR DIRECTORATE OF
PANCHAYATRAJ AND RURAL
DEVELOPEMENT .**

STAIR CASE DETAILS